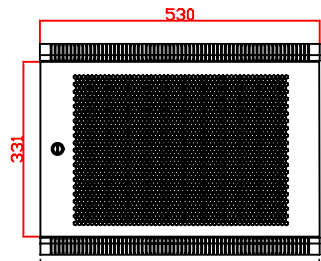
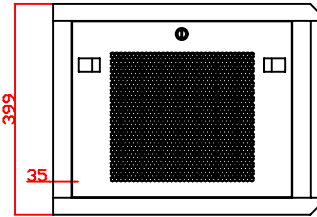


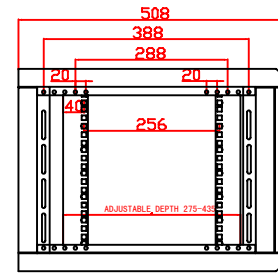
BOTTOM VIEW



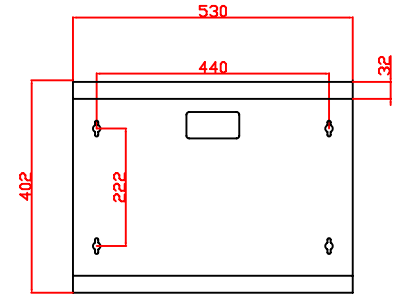
FRONT VIEW



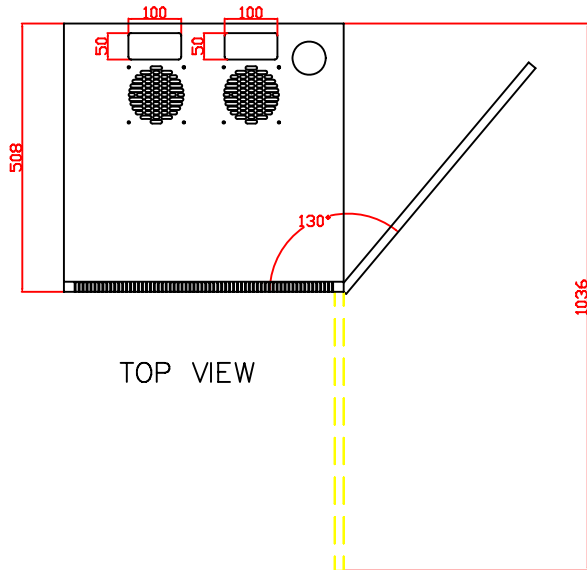
SIDE VIEW



SIDEVIEW WITH PANEL REMOVED



BACK VIEW



TOP VIEW



QUEST MANUFACTURING CO.

11200 NW 138 St., Medley, FL 33178

TEL: 305-513-8583 FAX: 305-513-9675

WWW.QuestManufacturing.net

ITEM NO.		WM2119-07-02					
Drawn By		Date		Material	C.R.S.		
Checked By		Date		Unit	mm		
Approved By		Date		Surface Finish	Power Coat		