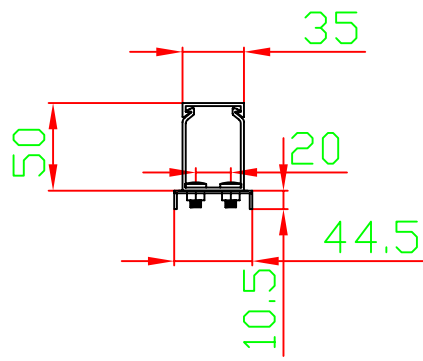
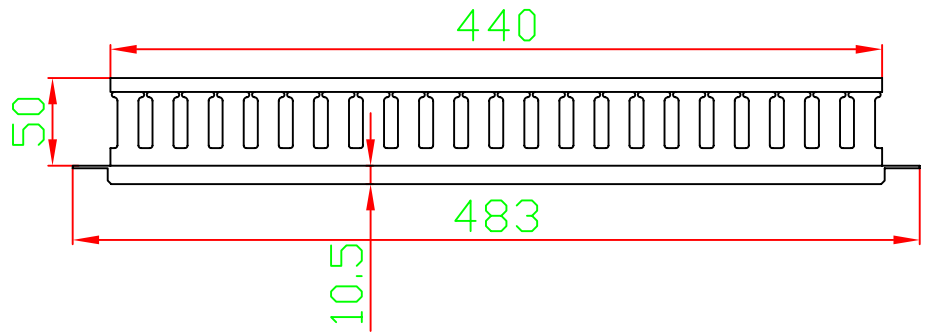
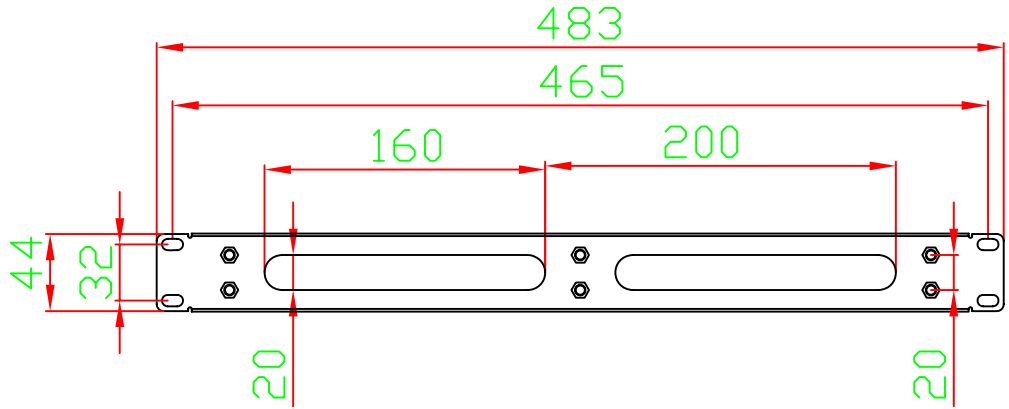


1		2		3		4		5		6		7		8		
FILE NO.:												VER	DATE	UPDATA		APP'D
												A	20130524	release		JSL



NOTE:
1. UNIT: mm

	NAME	DATE	DIMENSION TOLERANCE	MATERIAL	
DRAWN	VNC	2013/05/24		C.R.S.	
CHECKED	TYC	2013/05/24		SHEET	PART NO.:
APP'D	JSL	2013/05/24		OF	DRAWN NO.:
SCALE: 1:1		VERSION: A			

1		2		3		4		5		6		7		8	
---	--	---	--	---	--	---	--	---	--	---	--	---	--	---	--