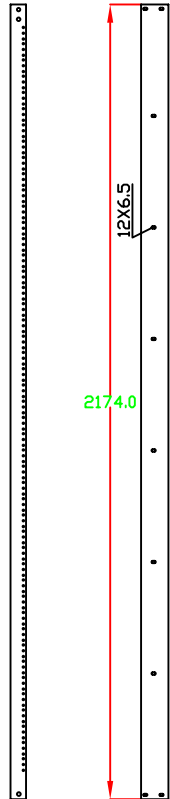
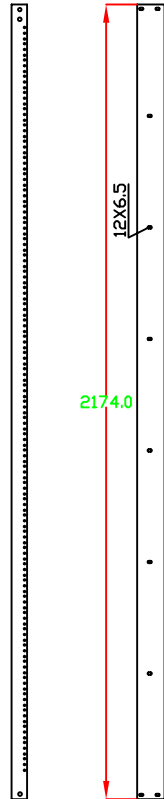


TOP VIEW



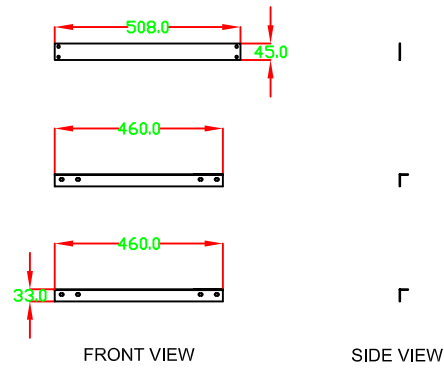
FRONT VIEW SIDE VIEW

TOP VIEW



FRONT VIEW SIDE VIEW

Rear Post



FRONT VIEW SIDE VIEW

Joint Parts

Note:

Assembly Hardware: 14 sets M6 screws and nuts.

Installation Hardware: 50 sets #12-24 screws and washers.

All Screws, nuts and washers are black color.

C.R.S. Thickness: Rear Post:1.8mm.

## Quest Manufacturing Corp.

ITEM NO.		FR1907-45-02L-KIT					
Drawn By		Date		Material	C.R.S.		
Checked By		Date		Unit	mm		
Approved By		Date		Surface Finish	Power Coat	Scale	1:1