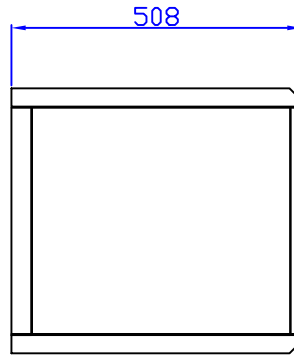
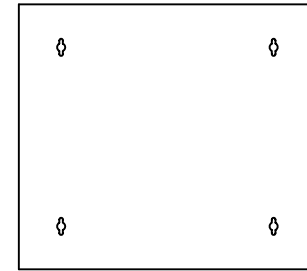


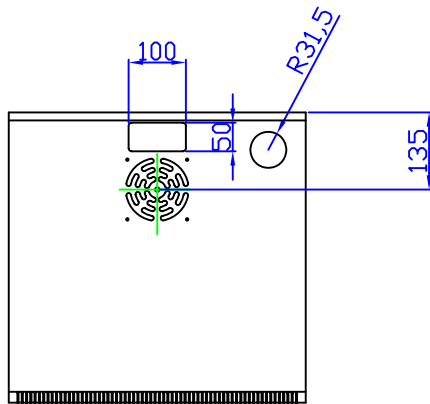
Front



side



back



Top

Quest Manufacturing Corp.

ITEM NO.		EZ19-09-02					
Drawn By		Date		Material	C.R.S.		
Checked By		Date		Unit	mm		
Approved By		Date		Surface Finish	Power Coat		