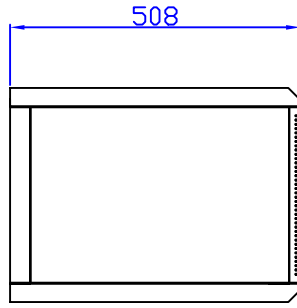
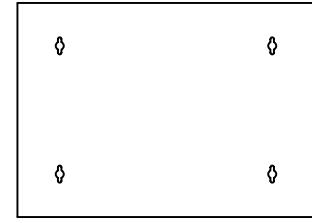


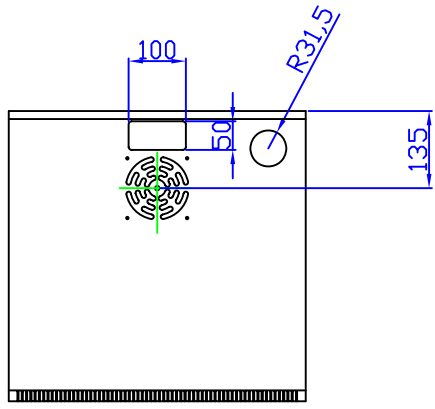
Front



side



back



Top

## Quest Manufacturing Corp.

<b>ITEM NO.</b>		<b>EZ19-07-02</b>					
Drawn By		Date		Material	C.R.S.		
Checked By		Date		Unit	mm		
Approved By		Date		Surface Finish	Power Coat		